

# Holland Fifth Wheel System, Fixed Tractor

The Highest Quality Holland Fifth Wheel System For On-Board Weighing



SI Onboard offers various 5th wheel solutions, including Holland Fixed or Slide, Fontaine or Simplex. The systems increase profits for haulers. Designed for both OEM and retrofit installations, the system is easy to install and provides years of trouble free operation.

## Key Features:

- 1% of net payload
- Easy to operate - One program
- Extensive self diagnostic
- Easy two-step calibration
- Post calibration
- Weight set-alarm points
- Supervisor lock-out
- Bright, reliable, easy to read LED display

## Options:

- Printer
- Relay board
- Hand held remote



**Holland Fifth Wheel System - 9101485**

## Applications:

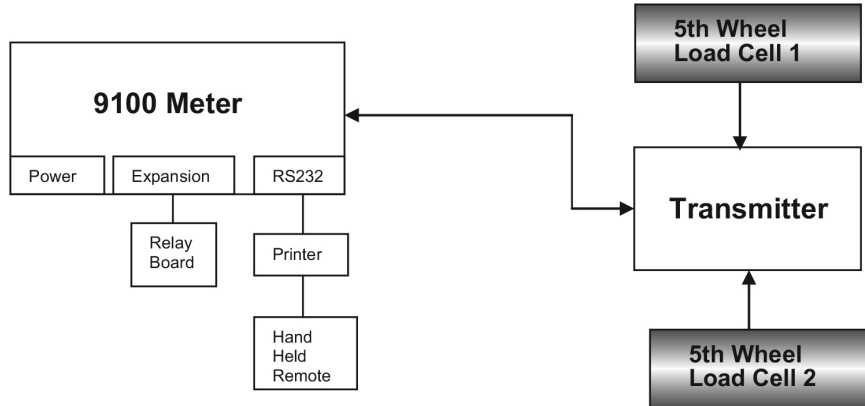
- Bulk hauling
- Forestry/logging
- Aggregate
- Waste
- Agriculture

5920 South 194th Street | Kent, WA 98032 | USA  
Sales Support: 800-638-5111 | Technical Support: 626-202-5047  
E-mail: [Obw.usa@vpgsensors.com](mailto:Obw.usa@vpgsensors.com)

[sionboard.com](http://sionboard.com)



# Holland Fifth Wheel System - 9101485



\* Various 5<sup>th</sup> wheel choices available

- Holland Slide
- Holland Fixed
- Fontaine
- Simplex

PARAMETERS	MIN
Accuracy	1% of net payload
Number of Load Cells	2
# of Channels	1
<b>METER</b>	
Digit Size	.45" high, 7-segment, 6-digit LED
Screen Type	LED
Size	6.5" L X 3.2" W X 1.9" D; 1.7 lbs
Divisions	50, 100 (lbs or kg)
Meter Operating Voltage	11.5 to 16 Vdc @ 400mA
Meter Operating Temperature	14 °F to 104 °F
Conversion (Frequency to digital)	2 updates/second; approx 4,000 display counts
Communications	RS232
Memory	64 K byte ROM for operating system and programs
<b>TRANSMITTERS</b>	
Analog Input	0.4 mV/V to 1.0 mV/V
Conversion	Voltage to Frequency, 66 kHz/mV
<b>LOAD CELL</b>	
Material	Alloy Steel, nickel-plated
Weight	52 lbs with mounting hardware (standard)
Size	22.5" Long
Output	0.5 mV/V @ 18,000 lbs
Impedance	350 Ω Minimum
Capacity	18,000 lbs dynamic

**DISCLAIMER:** ALL PRODUCTS, PRODUCT SPECIFICATIONS AND DATA ARE SUBJECT TO CHANGE WITHOUT NOTICE. Vishay Precision Group, Inc., its affiliates, agents, and employees, and all persons acting on its or their behalf (collectively, "VPG"), disclaim any and all liability for any errors, inaccuracies or incompleteness contained herein or in any other disclosure relating to any product. The product specifications do not expand or otherwise modify VPG's terms and conditions of purchase, including but not limited to, the warranty expressed therein. VPG makes no warranty, representation or guarantee other than as set forth in the terms and conditions of purchase. **To the maximum extent permitted by applicable law, VPG disclaims (i) any and all liability arising out of the application or use of any product, (ii) any and all liability, including without limitation special, consequential or incidental damages, and (iii) any and all implied warranties, including warranties of fitness for particular purpose, non-infringement and merchantability.** Information provided in datasheets and/or specifications may vary from actual results in different applications and performance may vary over time. Statements regarding the suitability of products for certain types of applications are based on VPG's knowledge of typical requirements that are often placed on VPG products. It is the customer's responsibility to validate that a particular product with the properties described in the product specification is suitable for use in a particular application. You should ensure you have the current version of the relevant information by contacting VPG prior to performing installation or use of the product, such as on our website at [vpgsensors.com](http://vpgsensors.com). No license, express, implied, or otherwise, to any intellectual property rights is granted by this document, or by any conduct of VPG. The products shown herein are not designed for use in life-saving or life-sustaining applications unless otherwise expressly indicated. Customers using or selling VPG products not expressly indicated for use in such applications do so entirely at their own risk and agree to fully indemnify VPG for any damages arising or resulting from such use or sale. Please contact authorized VPG personnel to obtain written terms and conditions regarding products designed for such applications. Product names and markings noted herein may be trademarks of their respective owners.