

# Holland Severe Duty ILS Slider, Fifth Wheel

Turn Your Fifth Wheel Into a Scale System



L80R/L80L are designed specifically for the Holland Severe Duty ILS slide system with an FW70 series top plate. They are a direct replacement for the existing Holland slide brackets and will fit on both the inboard and outboard style slide tracks. The load cells provide real time weight information.



Holland Severe Duty ILS Slider L80L and L80R

## Key Features:

Reduce installation time by 6-8 hours vs installation time for fixed 5th wheel load cell.

Easy to install. Bolts on and off, no welding required.

Easily moved from truck to truck.

Replaces the existing Holland ILS

Includes a urethane 5th wheel bushing for longevity.

ACCURACY: Typical system error less than .5% Full Scale.

MATERIAL: High strength alloy steel.

FINISH: Plated for corrosion protection.

## Applications:

Forestry/Logging

Bulk hauling

Aggregate

Agriculture

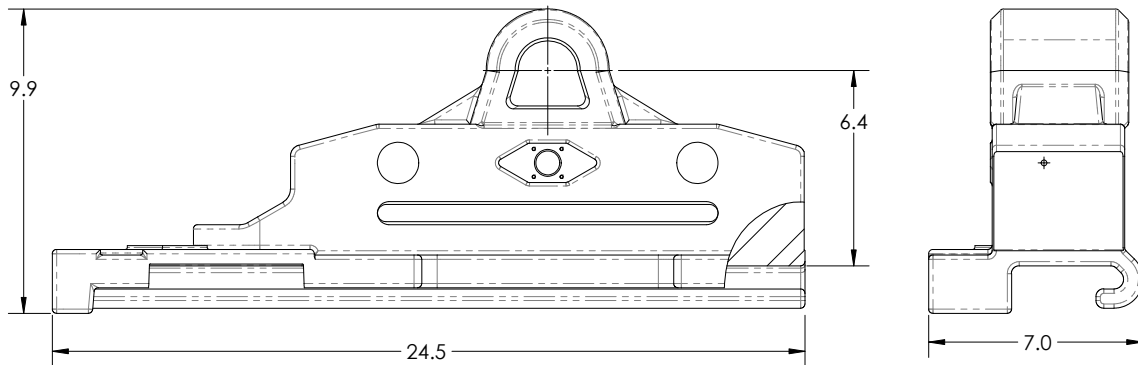
General highway

5920 South 194th Street | Kent, WA 98032 | USA  
Sales Support: 800-638-5111 | Technical Support: 626-202-5047  
E-mail: [sionboard@vpgsensors.com](mailto:sionboard@vpgsensors.com)

[sionboard.com](http://sionboard.com)



# Holland Severe Duty ILS Slider L80L and L80R



## Specifications

PARAMETERS	VALUE
System Capacity, Vertical Load	80,000 lbs (22,679 kg)
System Capacity, Draw Bar Pull	200,000 lbs (90,718 kg)
Output	.0.8 mV/V @ 40,000 lbs
Non-linearity, hysteresis repeatability	± 0.1% of full scale
Creep	± 0.1% of load in 20 minutes
Temperature Operating Range	-40°F to 150°F (-40°C to 65°C)
Maximum excitation	15V dc or ac
Impedance	350Ω min.
Isolation resistance	500MΩ at 50V
Load cell material	ASTM A148, GRADE 150-135
Weight	27lbs (12.25 kg)

**DISCLAIMER:** ALL PRODUCTS, PRODUCT SPECIFICATIONS AND DATA ARE SUBJECT TO CHANGE WITHOUT NOTICE. Vishay Precision Group, Inc., its affiliates, agents, and employees, and all persons acting on its or their behalf (collectively, "VPG"), disclaim any and all liability for any errors, inaccuracies or incompleteness contained herein or in any other disclosure relating to any product. The product specifications do not expand or otherwise modify VPG's terms and conditions of purchase, including but not limited to, the warranty expressed therein. VPG makes no warranty, representation or guarantee other than as set forth in the terms and conditions of purchase. **To the maximum extent permitted by applicable law, VPG disclaims (i) any and all liability arising out of the application or use of any product, (ii) any and all liability, including without limitation special, consequential or incidental damages, and (iii) any and all implied warranties, including warranties of fitness for particular purpose, non-infringement and merchantability.** Information provided in datasheets and/or specifications may vary from actual results in different applications and performance may vary over time. Statements regarding the suitability of products for certain types of applications are based on VPG's knowledge of typical requirements that are often placed on VPG products. It is the customer's responsibility to validate that a particular product with the properties described in the product specification is suitable for use in a particular application. You should ensure you have the current version of the relevant information by contacting VPG prior to performing installation or use of the product, such as on our website at [vpgsensors.com](http://vpgsensors.com). No license, express, implied, or otherwise, to any intellectual property rights is granted by this document, or by any conduct of VPG. The products shown herein are not designed for use in life-saving or life-sustaining applications unless otherwise expressly indicated. Customers using or selling VPG products not expressly indicated for use in such applications do so entirely at their own risk and agree to fully indemnify VPG for any damages arising or resulting from such use or sale. Please contact authorized VPG personnel to obtain written terms and conditions regarding products designed for such applications. Product names and markings noted herein may be trademarks of their respective owners.

## Disclaimer

ALL PRODUCTS, PRODUCT SPECIFICATIONS AND DATA ARE SUBJECT TO CHANGE WITHOUT NOTICE.

Vishay Precision Group, Inc., its affiliates, agents, and employees, and all persons acting on its or their behalf (collectively, "VPG"), disclaim any and all liability for any errors, inaccuracies or incompleteness contained herein or in any other disclosure relating to any product.

The product specifications do not expand or otherwise modify VPG's terms and conditions of purchase, including but not limited to, the warranty expressed therein.

VPG makes no warranty, representation or guarantee other than as set forth in the terms and conditions of purchase. **To the maximum extent permitted by applicable law, VPG disclaims (i) any and all liability arising out of the application or use of any product, (ii) any and all liability, including without limitation special, consequential or incidental damages, and (iii) any and all implied warranties, including warranties of fitness for particular purpose, non-infringement and merchantability.**

Information provided in datasheets and/or specifications may vary from actual results in different applications and performance may vary over time. Statements regarding the suitability of products for certain types of applications are based on VPG's knowledge of typical requirements that are often placed on VPG products. It is the customer's responsibility to validate that a particular product with the properties described in the product specification is suitable for use in a particular application. You should ensure you have the current version of the relevant information by contacting VPG prior to performing installation or use of the product, such as on our website at [vpgsensors.com](http://vpgsensors.com).

No license, express, implied, or otherwise, to any intellectual property rights is granted by this document, or by any conduct of VPG.

The products shown herein are not designed for use in life-saving or life-sustaining applications unless otherwise expressly indicated. Customers using or selling VPG products not expressly indicated for use in such applications do so entirely at their own risk and agree to fully indemnify VPG for any damages arising or resulting from such use or sale. Please contact authorized VPG personnel to obtain written terms and conditions regarding products designed for such applications.

Product names and markings noted herein may be trademarks of their respective owners.

Copyright Vishay Precision Group, Inc., 2014. All rights reserved.