

Shear Pin Load Cells

Accurate and reliable in harsh environments



Shear pin load cells can be used in a wide variety of on-board weighing and general industry applications. On-board weighing applications include using the shear pins in the rear hinge assembly of dump trucks, roll-offs and hooklifts

Key Features:

- Designed for easy installation and low maintenance
- Flexible-multiple shear pin options for different applications
- Optional hinge assemblies suitable for new installations and retrofits
- Hinge assemblies feature composite bushings for maximum durability, accuracy and load cell life
- Accurate and reliable in harsh environments
- Made from high strength, heat treated alloy steel
- Reliable, double-sealed, military style connectors
- Excellent for both on-road and off-road applications



Shear Pin Load Cells

Also Available

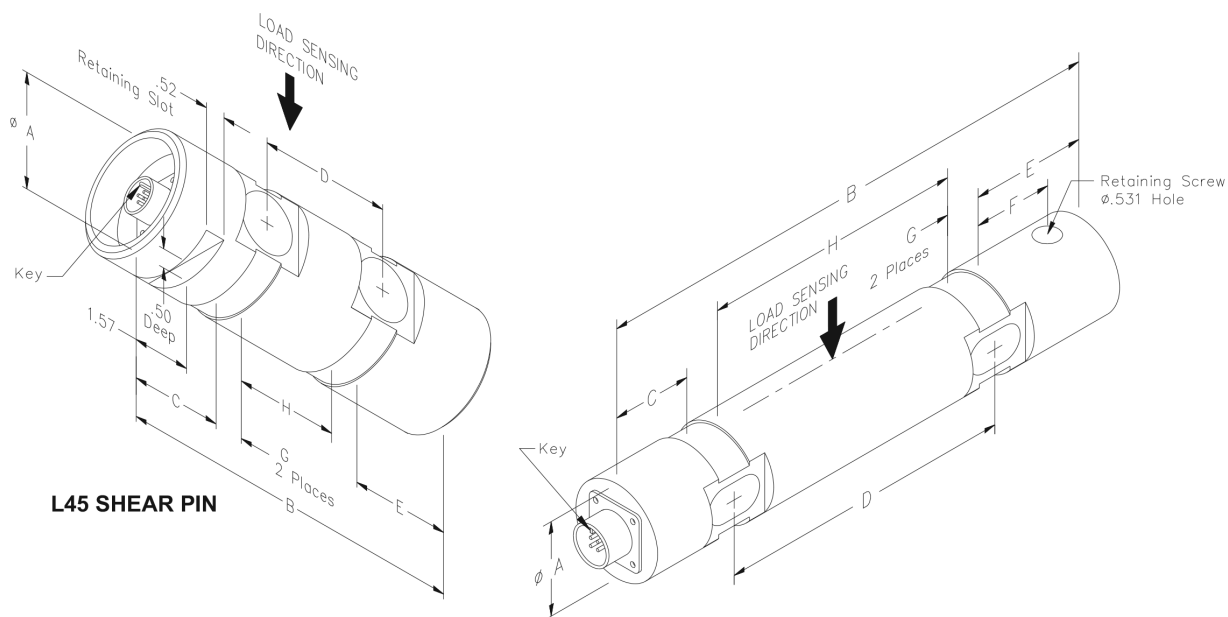
Retaining collars and partial or full rear hinge assemblies for dump truck, roll-off and hooklift applications. Hinge assemblies feature composite bushings that provide maximum accuracy, extend load pin life, and reduce maintenance requirements.

5920 South 194th Street | Kent, WA 98032 | USA
Sales Support: 800-638-5111 | Technical Support: 626-202-5047
E-mail: sionboard@vpgsensors.com

sionboard.com



SHEAR PIN LOAD CELL



SHEAR PIN	A	B	C	D	E	F	G	H
L25	2.00	11.5	1.81	6.38	2.56	1.69	0.75	5.63
L26	2.00	13.0	1.81	7.87	2.56	1.69	0.75	7.13
L34	2.00	8.00	1.81	2.90	2.56	1.74	.75	2.13
L43	2.50	10.88	2.14	4.28	3.71	3.01	.75	3.53
L44	1.44	7.00	1.75	2.13	2.50	1.88	.63	1.49
L45	300	9.25	2.47	3.44	2.59	n/a	.75	2.69

DIMENSIONS: See Above

CAPACITY: Application dependent. Please refer to the appropriate application note or refer to factory

MATERIAL: Standard material is high strength, heat treated alloy steel. Stainless steel optional for custom applications

CONNECTORS: Military grade with dual environmental seals

ACCURACY: System accuracy typically within 1% of GVW

DISCLAIMER: ALL PRODUCTS, PRODUCT SPECIFICATIONS AND DATA ARE SUBJECT TO CHANGE WITHOUT NOTICE. Vishay Precision Group, Inc., its affiliates, agents, and employees, and all persons acting on its or their behalf (collectively, "VPG"), disclaim any and all liability for any errors, inaccuracies or incompleteness contained herein or in any other disclosure relating to any product. The product specifications do not expand or otherwise modify VPG's terms and conditions of purchase, including but not limited to, the warranty expressed therein. VPG makes no warranty, representation or guarantee other than as set forth in the terms and conditions of purchase. **To the maximum extent permitted by applicable law, VPG disclaims (i) any and all liability arising out of the application or use of any product, (ii) any and all liability, including without limitation special, consequential or incidental damages, and (iii) any and all implied warranties, including warranties of fitness for particular purpose, non-infringement and merchantability.** Information provided in datasheets and/or specifications may vary from actual results in different applications and performance may vary over time. Statements regarding the suitability of products for certain types of applications are based on VPG's knowledge of typical requirements that are often placed on VPG products. It is the customer's responsibility to validate that a particular product with the properties described in the product specification is suitable for use in a particular application. You should ensure you have the current version of the relevant information by contacting VPG prior to performing installation or use of the product, such as on our website at vpgsensors.com. No license, express, implied, or otherwise, to any intellectual property rights is granted by this document, or by any conduct of VPG. The products shown herein are not designed for use in life-saving or life-sustaining applications unless otherwise expressly indicated. Customers using or selling VPG products not expressly indicated for use in such applications do so entirely at their own risk and agree to fully indemnify VPG for any damages arising or resulting from such use or sale. Please contact authorized VPG personnel to obtain written terms and conditions regarding products designed for such applications. Product names and markings noted herein may be trademarks of their respective owners.